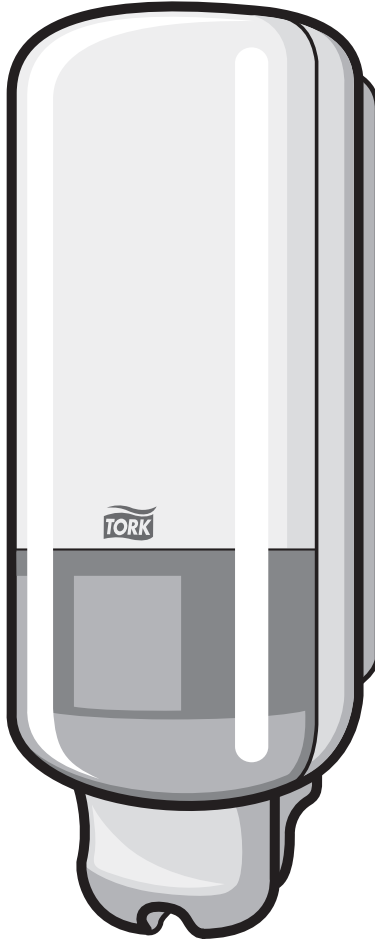


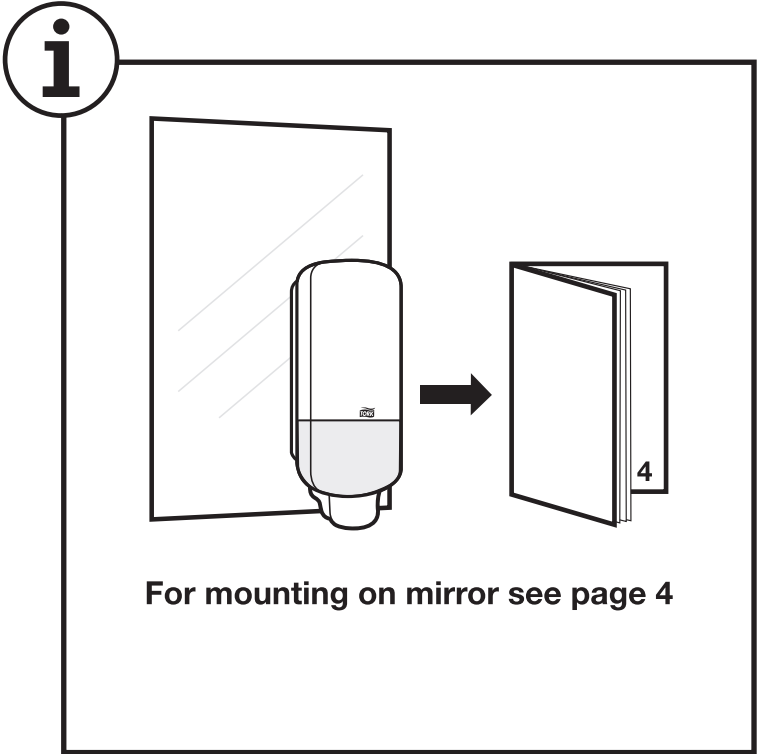
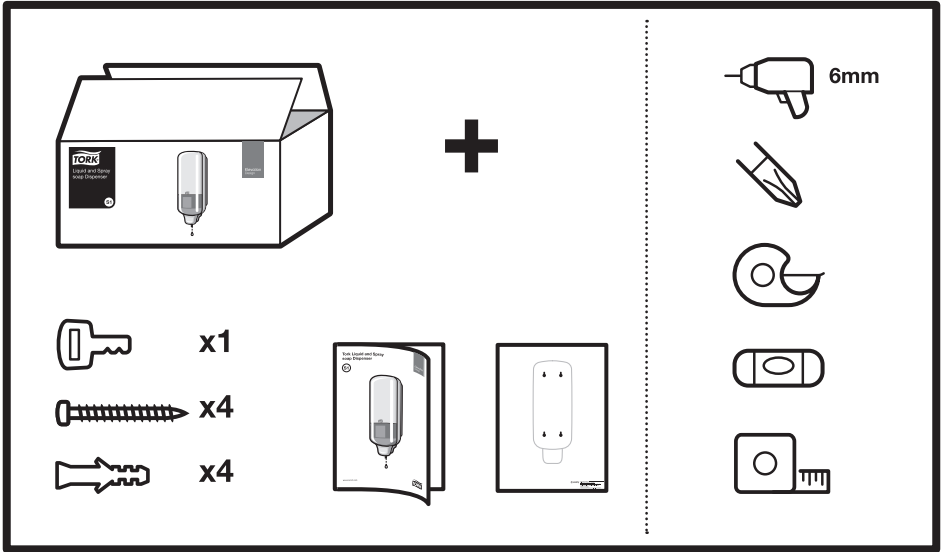
# Tork Liquid and Spray Soap Dispenser

Elevation  
Design

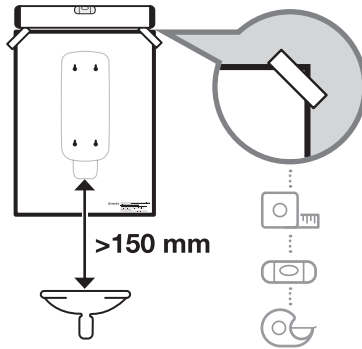
S1 S11



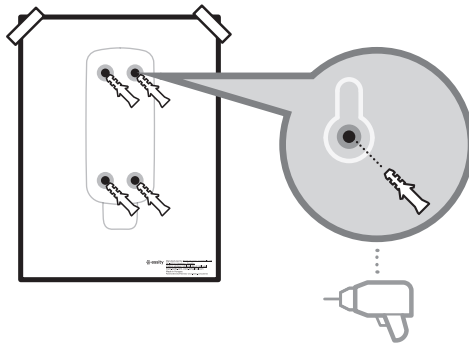
# Tork Liquid and Spray Soap Dispenser



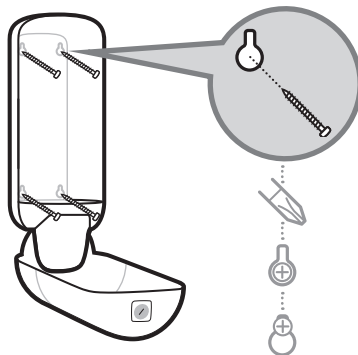
1



2

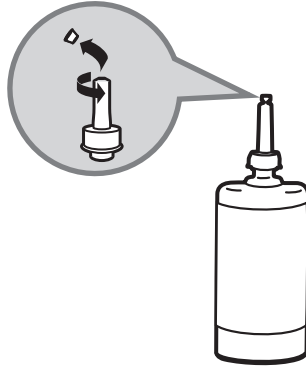


3

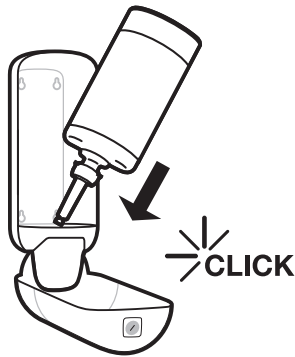


Tork Liquid and Spray Soap Dispenser

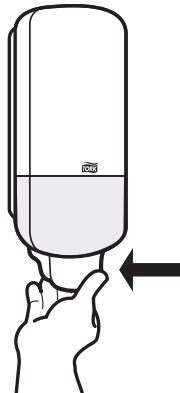
4



5



6

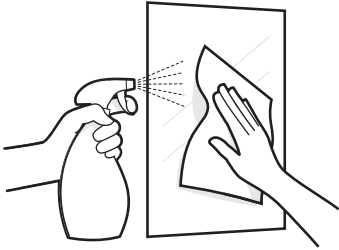


3

**i**

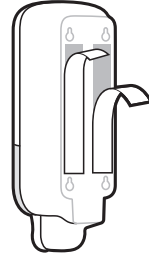
## Mounting on mirror

**1**



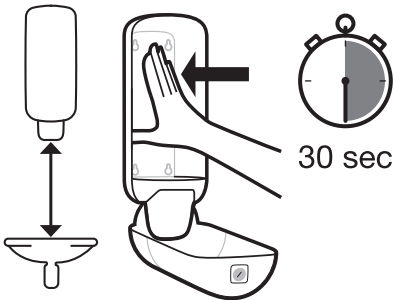
Ensure the mounting surface is flat, clean and dry.

**2**



Peel the protective liners from the tape exposing the adhesive.

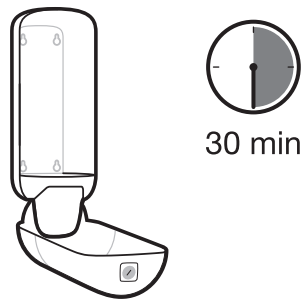
**3**



**>150 mm**

Mount the dispenser to the flat surface, press firmly and hold in place for at least 30 seconds.

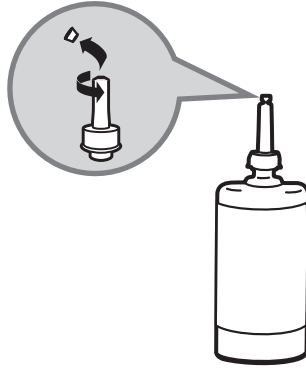
**4**



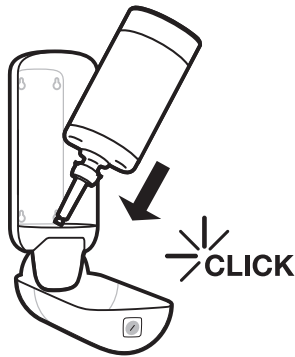
Do not place the refill or batteries in the dispenser for at least 30 minutes.

Tork Liquid and Spray Soap Dispenser

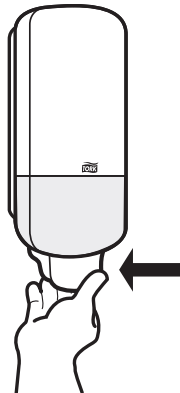
4



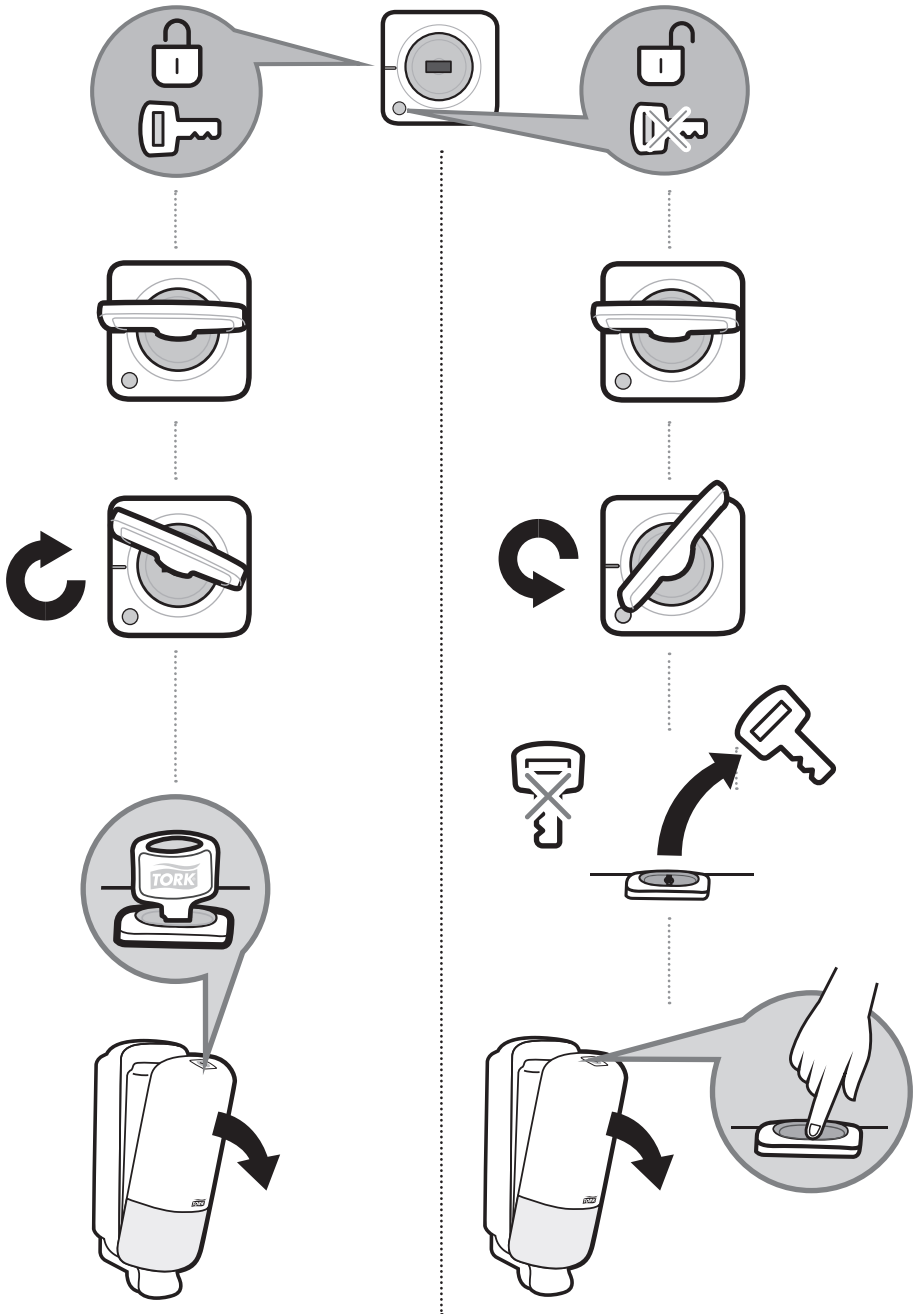
5



6



Tork Liquid and Spray Soap Dispenser



## Disposal

- Damaged or malfunctioning product should be disposed of immediately to avoid potential of injury
- Products should be disposed of in accordance with applicable regulations

## Cleaning instructions

- Clean dispenser with mild detergent and soft cloth

European Community Design Registration RCD 000929971



Manufactured by Essity Hygiene and Health AB  
SE-40503 Göteborg, Sweden  
Visiting address: Mölndals Bro 2, Mölndal  
www.essity.com, www.torkglobal.com  
Made in Hungary  
Patents/Brevets/Patentes: [www.essity.com/patents](http://www.essity.com/patents)